

# Vertical Electrophoresis



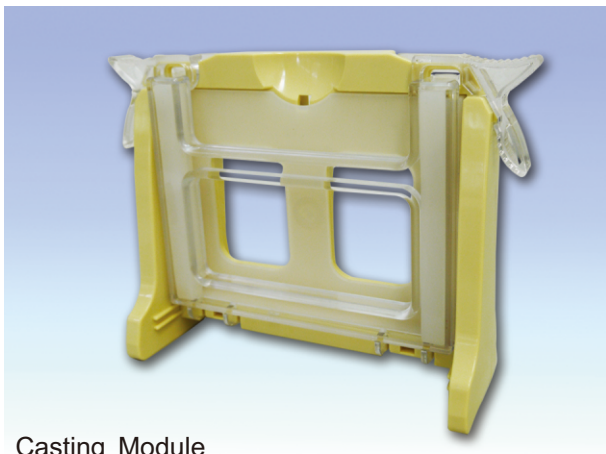
## Features

- Interchangeable module for SDS-PAGE electrophoresis and blotting
- Sufficient buffer with no need for extra cooling device
- Sandwich cassette assembly clamps for blotting
- Capable of transferring two gels simultaneously
- Anti-leakage clasp-release\*gel casting module
- Designed for protein and DNA electrophoresis
- Easy handling and no maintenance design

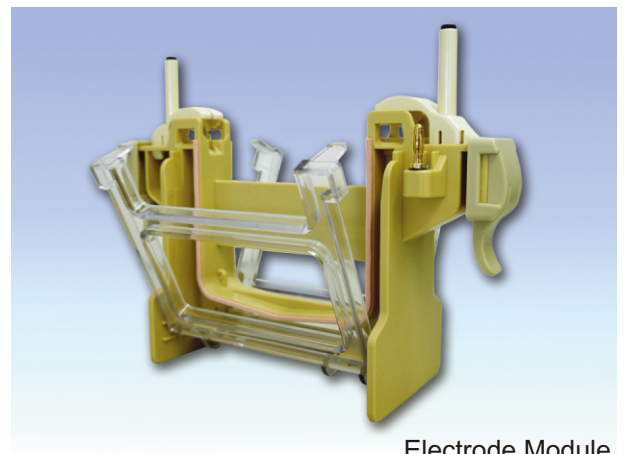
## Applications

- Education, university, academic and research institute
- Analytical chemistry, molecular laboratory
- Food industrial and inspection laboratory
- Drug discovery, Biotechnology company
- Proteomics, genomics core facility
- Enzyme reaction, immunology

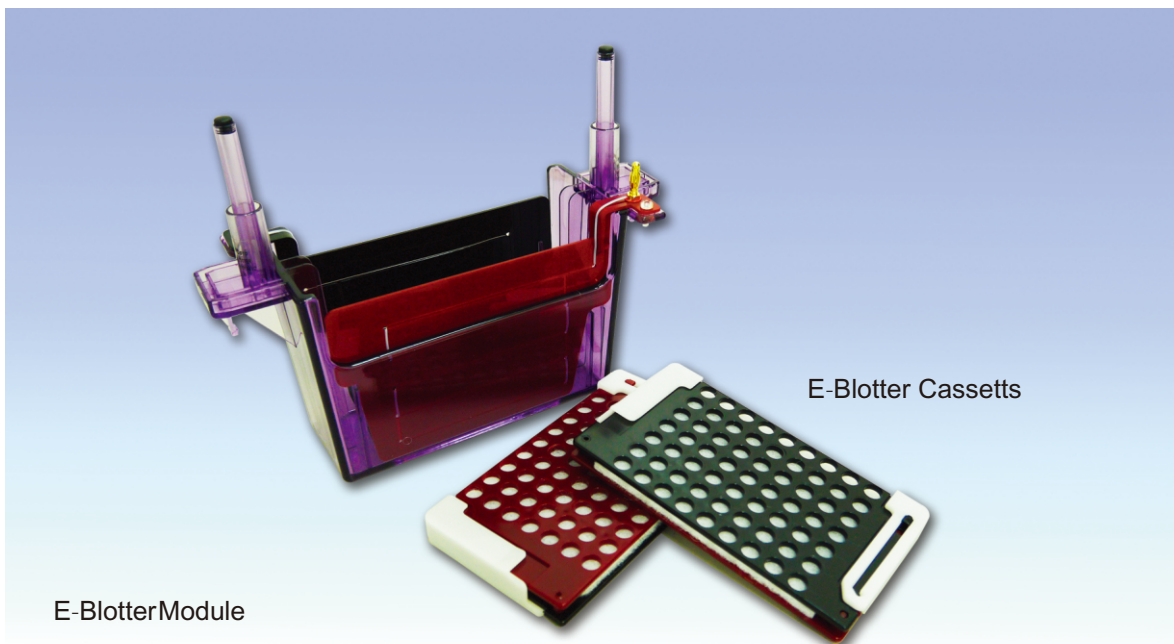
Vertical electrophoresis comprises with tank, electrode module, casting module and optional blotting module. This unit was built by injection mode technology, its unique anti-leak rubber and clasp-release design\* guarantee leakage free while gel casting. Selectable 0.5, 0.75, 1.0mm thickness spacers and combs load different volume protein samples. Electrode module can run two gels simultaneously, and the blotting module shares the same gel tank. E-Blotter is a high resolution gel transfer apparatus, which includes one electrophoresis tank, one cassette holder and two sandwich blotting cassettes and one pair electrode. It can transfers two gels simultaneously and apply to protein SDS-PAGE and Agarose gels. ELITE series are recommended power supplies for combination as a perfect blotting system.



Casting Module

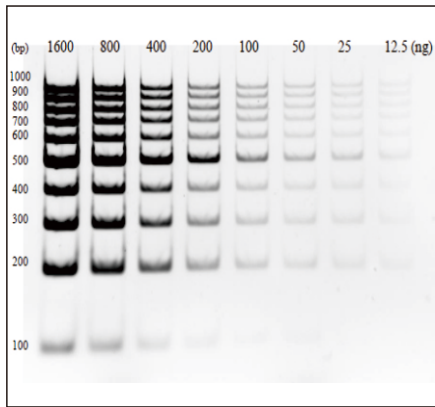


Electrode Module

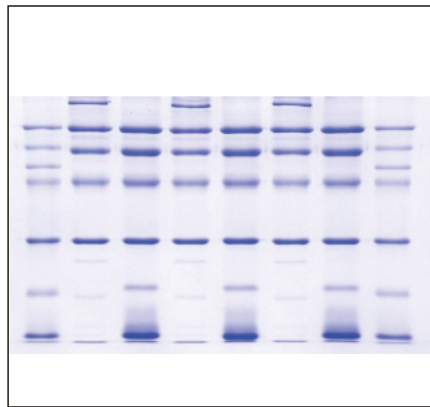


E-BlotterModule

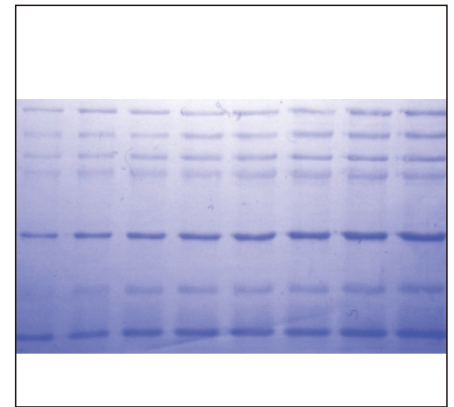
E-Blotter Cassetts



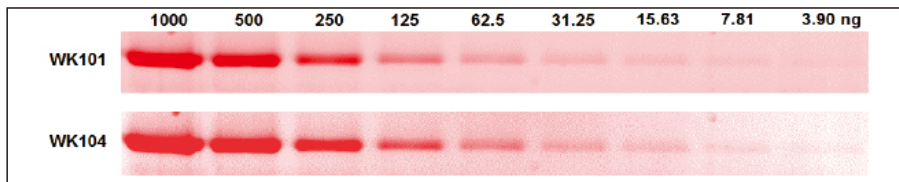
1 kb DNA ladder in acrylamide gel separated by V-GES



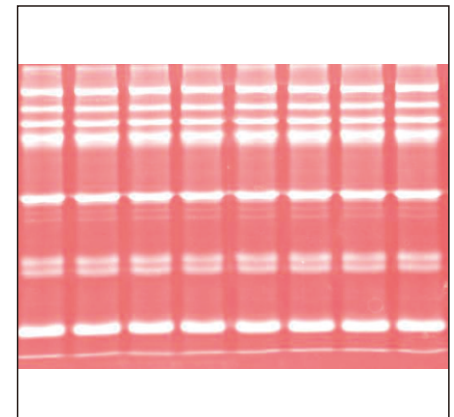
ProMarker Separated by V-GES Stained with Coomassie Brilliant Blue



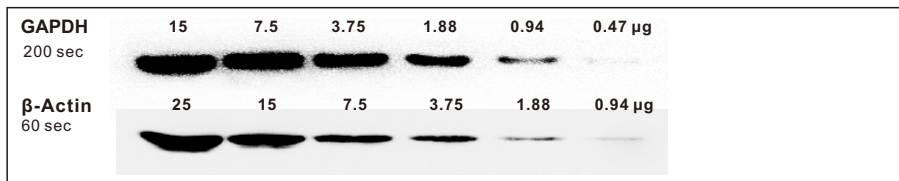
ProMarker Transfer from SDS-PAGE to PVDF by E-Blotter



Transferrin in SDS-PAGE separated by V-GES Stained with SYPRO Red



ProMarker in SDS-PAGE separated by V-GES Stained with SYPRO Ruby



Total lysate protein transfer from SDS-PAGE to PVDF by E-blotter Presented with ECL reagent

## Specifications

	V-GES	E-Blotter
Gel size (mm)	100 x 80 (W x H)	110 x 75 (W x H)
Gel thickness (mm)	0.5 / 0.75 / 1.0	-
Sponge size (mm)	-	110 x 75 (W x H)
Applicable number of samples	10 to 30	-
Number of gels	1 or 2 gels	-
Transfer capability	-	1 or 2 gels
Blotter module	-	2 cassettes simultaneous
Buffer requirement (ml)	-	1450
Upper buffer volume (ml)	250 to 300	-
Lower buffer volume (ml)	500 to 1,400	-
Cassette dimensions (mm)	-	140 x 11 x 77 (W x D x H)
Distance cathode to anode	-	5
Electrode module w /platinum wire	For 1 or 2 gels operation*	-
Casting module	2 sets for gel casting*	-
Glass plate	5 sets	-
Selectable comb teeth	10 /15 teeth	-
Comb thickness (mm)	0.5 / 0.75 / 1.0	-
Physical dimensions (mm)	200 x 130 x 165 (W x D x H)	200 x 130 x 165 (W x D x H)
Weight (kg)	3	1
Certification	CE	CE
Recommended power supply	ELITE 200 / 300 / 300 PLUS / 600U	ELITE 200 / 300 / 300 PLUS / 600U

The spec is subject to change without prior notice. Clasp-release design\* is the patent of Wealtec Bioscience  
 Patent No.: M277920/ ZL 2005 2 0009035.8 / Nr. 20 2005 005 050.4 / 2005-002015 / US7,544,279 B2

## Ordering Information

Catalog No.	Description
1031101	V-GES (0.5mm) complete system, system includes electrode module, electrophoresis tank, casting module / 2 set, 0.5mm 10 teeth comb / 2pcs
1031102	V-GES (0.75mm) complete system, system includes electrode module, electrophoresis tank, casting module / 2 set, 0.75mm 10 teeth comb/2pcs
1031103	V-GES (1.0mm) complete system, system includes electrode module, electrophoresis tank, casting module / 2 set, 1.0mm 10 teeth comb / 2pcs
1030201	E-Blotter complete system, system includes electrophoresis tank, E-Blotter module, instruction manual
<b>Accessories</b>	
1031005	V-GES glass plate set, set includes thick glass plate / 5pcs, U-shape glass plate / 5pcs
1035401	Thick glass plate 100 x 130mm, 5pcs
1035402	U-shape glass plate 100 x 130mm, 5pcs
1032001	0.5mm V-GES spacer 15 x 100mm, 2pcs
1032002	0.75mm V-GES spacers 15 x 100mm, 2pcs
1032003	1.0mm V-GES spacers 15 x 100mm, 2pcs
1032101	0.5mm 10-teeth comb for V-GES, 1pc
1032111	0.5mm 15-teeth comb for V-GES, 1pc
1032102	0.75mm 10-teeth comb for V-GES, 1pc
1032112	0.75mm 15-teeth comb for V-GES, 1pc
1032103	1.0mm 10-teeth comb for V-GES, 1pc
1032113	1.0mm 15-teeth comb for V-GES, 1pc
1035501	One-gel gate for V-GES, 1pc
1035502	Glass plate separator (Wedge-shaped separator), 1pc
1035503	Alignment card for V-GES, 1pc
1035101	E-Blotter cassette holder, holder without electrode plates, 1pc
1035102	Black blotting electrode plate with banana-plug assembly
1035103	Red blotting electrode plate set with banana-plug assembly
1035104	Cassette one each Red and black with clamp, sponge
1035105	Sponge 75 x 110mm, 4pcs
1035106	Blotting paper 75 x 110mm, pk of 50



Wealtec Corp.  
1885 Meadowvale Way,  
Sparks, NV 89431, USA  
Tel: +1-775-351-2066 Fax: +1-775-351-2077

**E-Mail:** [sales@wealtec.com](mailto:sales@wealtec.com) **Web-site:** <http://www.wealtec.com>

Wealtec Bioscience Co., Ltd.  
27F., No.29-1, Sec. 2, Zhongzheng E. Rd., Danshui Dist.,  
New Taipei City 251, Taiwan  
Tel: +886-2-8809-8587 Fax: +886-2-8809-8589

